



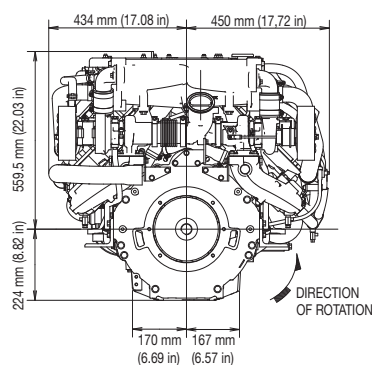
8LV-320 / 8LV-370 Series

Configuration	4-stroke, vertical, water cooled diesel engine
Maximum output at crankshaft according ISO 8665:2006	235 kW @ 3.800 rpm / 272 kW @ 3.800 rpm (320 mhp @ 3.800 rpm) / (370 mhp @ 3.800 rpm)
Continuous rating output at crankshaft	214 kW @ 3,683 rpm / 248 kW @ 3.683 rpm
Displacement	4,46 Ltr (272,24 cu in)
Bore x stroke	86 mm x 96 mm (3.38 in x 3.78 in)
Cylinders	8 in V-90°
Combustion system	Direct injection Common-rail system
Compression Ratio	15:8
Low Idle rpm	550 rpm
Aspiration	Turbocharged with twin TC
Electric system	12V
Alternator	12V - 180A
Start-assist	Glow-plug system
Cooling system	Fresh water cooling by centrifugal fresh water pump Sea water cooling by rubber impeller seawater pump
Lubrication system	Enclosed, forced lubricating system
Direction of rotation (crankshaft)	Counter clockwise viewed from flywheel side
Dry weight without gear	450 Kg (992 Lbs)
Environmental	EU: RCD / US: EPA Tier3
Engine mounting	Rubber type flexible mounting

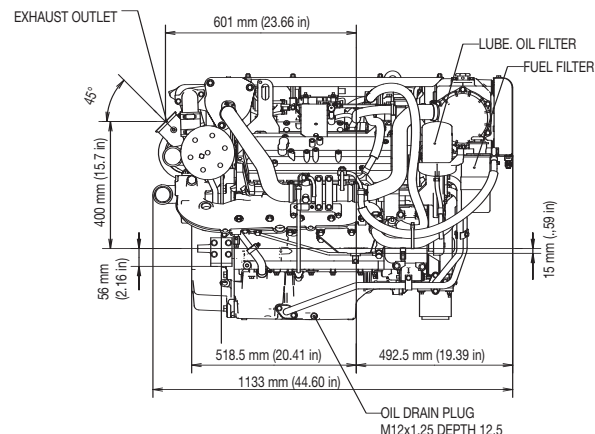
NOTE: Fuel condition: Density at 15°C = 0.84 g/cm³ Fuel temperature 40°C at the inlet of the fuel injection pump (ISO 8665:2006)

Dimensions (For detailed line-drawings, please refer to our web-site: www.yanmarmarine.com or contact your supplier)

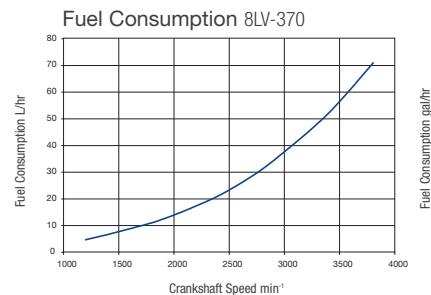
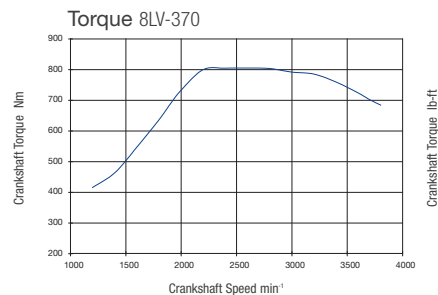
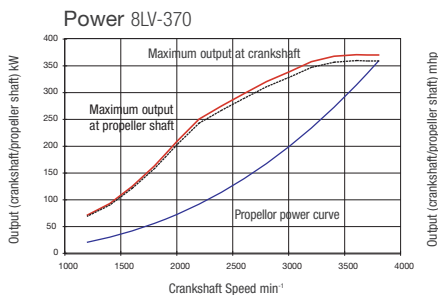
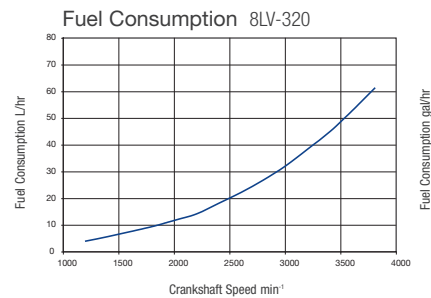
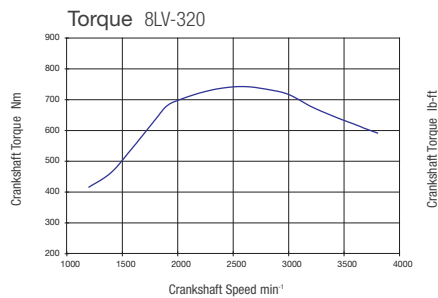
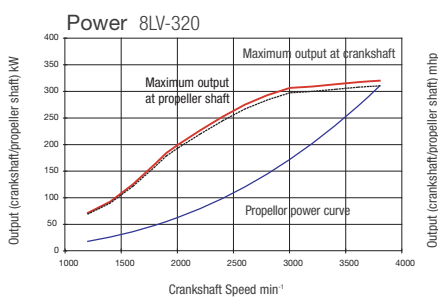
Gear view



Right side view



Performance Curves (Output is according ISO 8665)



Drive systems

Model	KMH50A (down angle 8°)		
Type	Hydraulic Actuated Multi-friction disc clutch		
Dry Weight	43 kg excl. foot and cooler (=15,5 kg)		
Reduction Ratio	1,67/1,67	2,13/2,13	2,43/2,43
Direction of rotation	Clockwise / Counterclockwise viewed from the stern		
Lub oil specifications	API class: CF or higher SAE grade #30		
Dry weight - engine & gear	509 kg		

Model	KMH52V (Integral V-drive 12°)			
Type	Hydraulic Actuated Multi-friction disc clutch			
Dry weight	59 kg excl. foot and cooler (=20 kg)			
Reduction Ratio	1,22/1,22	1,58/1,58	2,08/2,08	2,47/2,47
Direction of rotation	Clockwise / Counterclockwise viewed from the stern			
Lub oil specifications	API class: CF or higher SAE grade #30			
Dry weight - engine & gear	529 kg			

Other marine gearboxes and configurations available upon request. Contact your local supplier for more information.

Control system

- Yanmar CAN-bus control system
- Electronic CAN-bus Control-head
- Multi-function colour display
- NMEA2000 or J1939 gauge output
- Second or third station - optional