



		PD 70Y	PD 7.4Y
a.c. output	230 V	¹ max.kW	5,4
	50 Hz 1~	² cont.kW	5
power factor		cos ø	1
a.c. output	400 V	max .kVA	6,5
	50 Hz 3~	cont .kVA	6
power factor		cos ø	0,8
fuel	Diesel		
starting	electric		
alternator	synchronous		
engine	YANMAR L100AE		
cooling system	air		
displacement	c.c.	406	
n° cylinders		1	
prime power	HP	8,8	
R.P.M.		3000	
fuel tank capacity	lt.	5,5	
¾ load operating hours	h	3	
sound power level	L _{wA}	105	
acoustic pressure at 7 mt.	dB(A)	80	

		PD 70Y	PD 7.4Y	
DIMENSIONS	L	820	820	mm
	W	580	580	mm
	H	610	610	mm
WEIGHT		110	110	kg

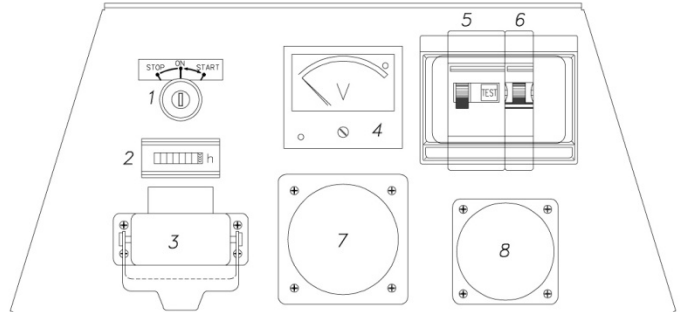
⁽¹⁾ **Stand-by power:**
power available for emergency

⁽²⁾ **Prime power:** maximum power
available at variable loads for an
unlimited numbers of hours

CONTROL PANELS

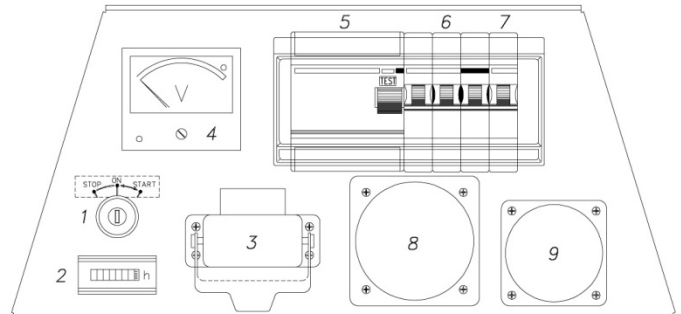
PD 70Y

- 1 Ignition key
- 2 Hour counter
- 3 Remote control connector
- 4 Voltmeter
- 5 Differential magnetothermal switch, 1P
- 6 Magnetothermal switch 1P
- 7 Single-phase outlet, EEC 32A 230V 2P+GND
- 8 Single-phase outlet, EEC 16A 230V 2P+GND



PD 7.4Y

- 1 Ignition key
- 2 Hour counter
- 3 Remote control connector
- 4 Voltmeter
- 5 Differential switch 4P
- 6 Magnetothermal switch 3P
- 7 Magnetothermal switch 1P
- 8 Three-phase outlet, EEC 16A 400V 3P+N+GND
- 9 Single-phase outlet, EEC 16A 230V 2P+GND



OPTIONAL

- Automatic control panel
- Remote control panel
- Undergear